

Knight Projector DMX

Fixture Type _____



Specifications

Knight Projector DMX

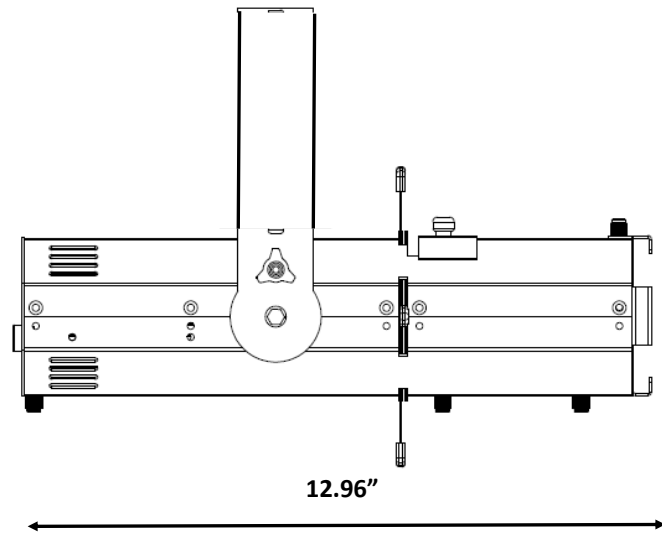
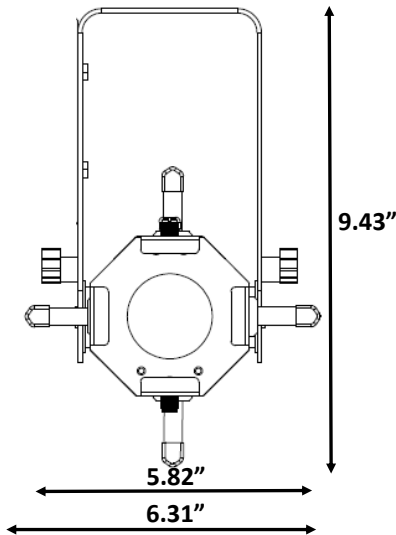
- High Power 3,000 Kelvin 80+ CRI LED Emitter
- Lumen Output—3,000 Initial Lumens
- Power Draw - 20 Watt
- LED Lifetime Rated at 50,000 Hours
- Tool Free Focal Range from 25° Thru 50°
- 3' Head cable w/ 9-pin connector
- Luminaire can be remote mounted from DMX power supply up to 75' via optional cables
- Multiple user programmable personalities
- Accepts Glass or Steel Patterns
Size 37.5mm OD—28mm Image Area
- 4 x Framing Shutters
- Included Accessories - 18" Safety Cable & Color Frame
- Front Accessory Holder Accepts 3-3/16" or 3-1/8" Accessories
- Construction - Sheet Steel & Aluminum
- Weight: 5.5lbs/ 2.5kg

Knight Single – Single head DMX power supply

- 25-Watt DMX-512A/ RDM Power Supply
- Utilizes THE BLACK TANK Patented Technology
- Compatible w/ Dark Knight, White Knight, Daylight Knight & Rainbow Knight (RGBA) luminaires
- Stand-alone functions and manual intensity settings
- Multiple user personalities accessible via RDM or push button LCD display
- 9-pin fixture input
- 5-pin XLR DMX-In & DMX-thru
- powerCON AC Input
- LCD Display w/ 4 push buttons for programming
- RDM Identification and thermal monitoring
- 6' powerCON cable w/ Edison connector for US/ bare end International. Other power connectors available
- Multi-Voltage Power Input 100vac-240vac 50/60Hz
- ETL/ cETL & CE Listed for Damp Location
- Triple-Head power supply to be available Q2 2022
- Mounting bracket w/ 1/2" thru hole and 1/2"-13 thread for mounting luminaire

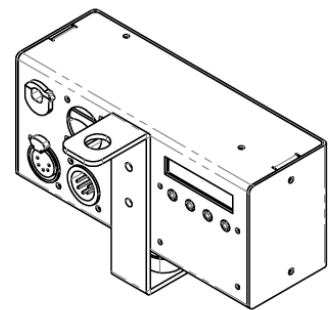
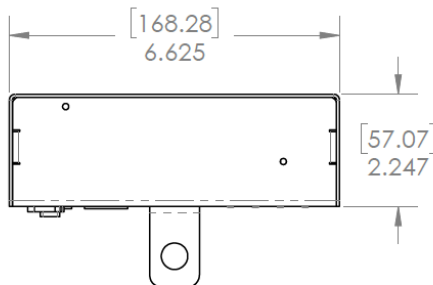
Knight Projector DMX

Fixture Type _____

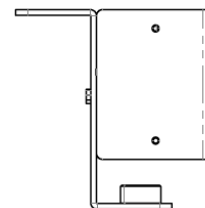
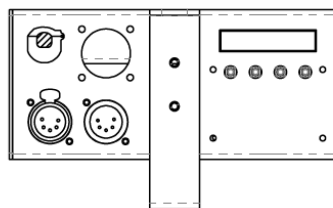
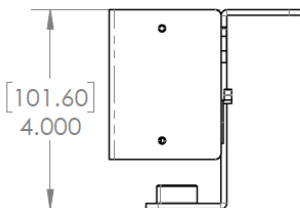


KNIGHT PROJECTOR DMX DIMENSIONS

Dimensions are in Inches



KNIGHT SERIES SINGLE DMX POWER SUPPLY DIMENSIONS



Knight Projector DMX

Fixture Type _____



KNIGHT PROJECTOR PHOTOMETRY - 3,000 KELVIN LUMINAIRE					
<i><u>NARROW FOCUS</u></i>			<i><u>WIDE FOCUS</u></i>		
Projection Distance in Feet	Center Foot- Candle Reading	Beam Diameter in Feet	Projection Distance in Feet	Center Foot- Candle Reading	Beam Diameter in Feet
10'	120	4.33	10'	52	8
15'	53	6.5	15'	23	12
20'	30	8.7	20'	13	16
25'	19	10.8	25'	8.5	20

<i><u>Part Number</u></i>	<i><u>Description</u></i>
KLS-KP-3K.DMX-2022	KNIGHT PROJECTOR - 3,000K 80CRI - 25/50 ZOOM W/ 3' CABLE & 9-PIN CONNECTOR
KLS-DMXPS1	SINGLE HEAD DMX/RDM POWER SUPPLY W/ 6' POWER CABLE 100-240VAC 50/60HZ
KLS-DMXPS3	TRIPLE HEAD DMX/RDM POWER SUPPLY W/ 6' POWER CABLE 100-240VAC 50/60HZ
KLS-KP-PHS.BK	PATTERN HOLDER FOR STEEL GOBO'S
KLS-KP-PHG-BK	PATTERN HOLDER FOR GLASS GOBO'S
KLS-KP.DN	DONUT ACCESSORY
KLS-KNIGHT-SN	KNIGHT SERIES SNOOT/ TOPHAT ACCESSORY
KLS-KNIGHT-LSL	LINEAR SPREAD LENS
KLS-KNIGHT-BASE	FLOOR MOUNTING BASE - 6" DIAMETER X 1/2" W/ 3/8 MOUNTING BOLT
KLS-MEGA-CLAMP	C-CLAMP WITH 1/2" BOLT FOR USE WITH 1"-2" PIPE -
KLS-2.2LENS	HD 2.2X NARROW LENS ACCESSORY - MOUNTS IN FRONT ACCESSORY HOLDER
KLS-KNIGHT-EXT10	10' - 9 PIN MALE TO 9 PIN FEMALE KNIGHT HEAD TO POWER SUPPLY EXTENSION CABLE
KLS-KNIGHT-EXT25	25' - 9 PIN MALE TO 9 PIN FEMALE KNIGHT HEAD TO POWER SUPPLY EXTENSION CABLE
KLS-KNIGHT-EXT50	50' - 9 PIN MALE TO 9 PIN FEMALE KNIGHT HEAD TO POWER SUPPLY EXTENSION CABLE